

Specification Guide Codes:

A= Item Number

B= Metal Material

C= Material Thickness (mm)

D= Suitable Rated Current

Option Finish Selecting:

N= Nickel Plating

S= Silver Plating

(To Order Add **N** or **S** e.g. **CQ-216 N**)

Specification Guide Codes:

A= Item Number

B= Insertion & Extraction Force

C= Dielectric Strength For 60 Sec

D= Suitable Rated Current

E= Insulation Resistance At500VDC

F= Temperature Rise

G= Voltage Drop

• Special Design Also Available. For Details Please Contact Factory.

• Use UL Approved Materials

• Low Cost

• Low Contact Resistance

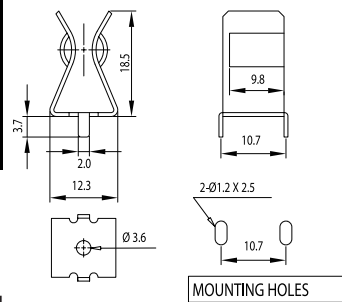
• Flame Retardant.

* Beryllium Copper Recommended For Current Higher Than 30A
To Order Add " CQ " e.g. **CQ-121 CQ**

P.C. BOARD MOUNT SPECIAL FUSE CLIPS



CQ-216(G)
For 10.3mm Dia. Fuses



B: Spring Brass
C: 0.7t
D: 30A
24Kt. Gold Plated
Supply With Tin Plated Ear Type

FOR BLADE AUTO FUSES BLOCKS



CQ-121
For ATQ Blade Type Fuses

B: 1Kg. Min.

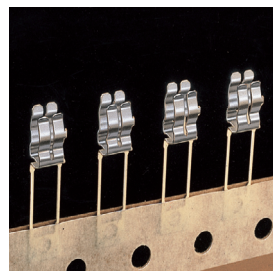
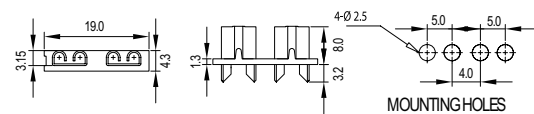
C: AC500V Min.

D: 15A250V

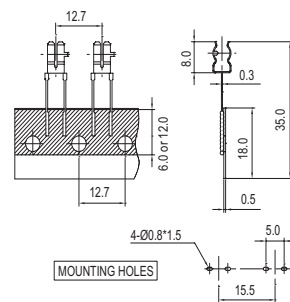
E: 100MΩ Min

F: 50°C Max.

G: 20mV Max.



CQ-05CT
Tape/Reel For 5mm Dia. Fuses



B: Phosphor Bronze
C: 0.3t
D: 10A
Bright Tin Plated
Ear Type



CQ-122
For AST Mini Blade Type Fuses

B: 1Kg. Min.

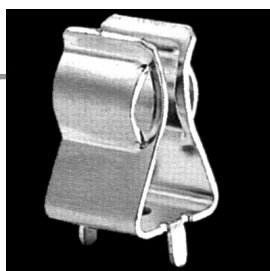
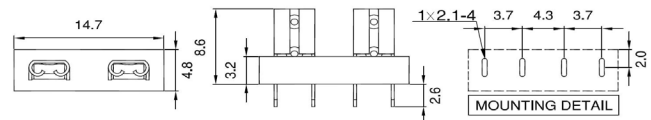
C: AC500V Min.

D: 15A250V

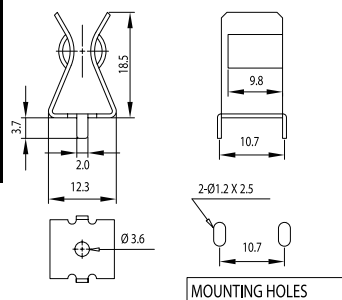
E: 100MΩ Min

F: 50°C Max.

G: 20mV Max.



CQ-216
For 10.3mm Dia. Fuses



B: Spring Brass
C: 0.7t
D: 30A
Bright Tin Plated
Ear Type