



### SAW Filters & SAW Duplexers

**RoHS Compliant**  
Directive 2002/95/EC

**REACH Compliant**  
(15 SVHCs)  
Regulation (EC)  
No. 1907/2006

**TS16949: 2002**  
Certified

#### ● Dimension

##### 3.0x3.0mm

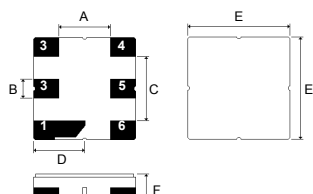
Pin No.	Function*
2	Input / output
5	Output / input
1,3,4,6	Ground

\* Pin function may vary

Dimension	
A	1.5
B	0.6
C	1.8
D	1.5
E	3.0
F	1.1

Unit: mm

Tolerance: ±0.3mm



##### 3.8x3.8mm, 8-terminal

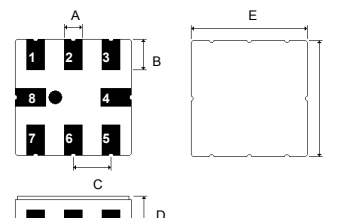
Pin No.	Function*
1	Input
2	Input ground
5	Output
6	Output ground
3, 7	To be grounded
4, 8	Case ground

\* Pin function may vary

Dimension	
A	0.6
B	1.0
C	1.27
D	1.5
E	3.8

Unit: mm

Tolerance: ±0.3mm



##### 3.8x3.8mm, 6-terminal

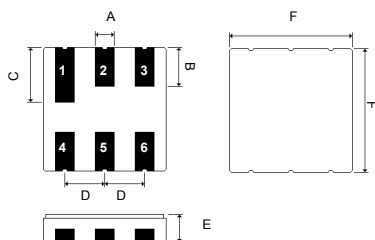
Pin No.	Function*
2	Input / output
5	Output / input
1,3,4,6	Ground

\* Pin function may vary

Dimension	
A	0.6
B	1.0
C	1.6
D	1.27
E	1.2
F	3.8

Unit: mm

Tolerance: ±0.3mm



##### 5.0x5.0mm

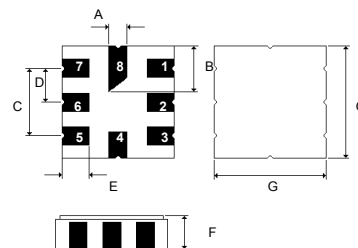
Pin No.	Function*
1	Input
5	Output
2,7	Input ground
3,6	Output ground
4,8	Case ground

\* Pin function may vary

Dimension	
A	0.6
B	2.08
C	2.54
D	1.27
E	1.2
F	1.35
G	5.0

Unit: mm

Tolerance: ±0.3mm



##### F-11 / F-11 SMD

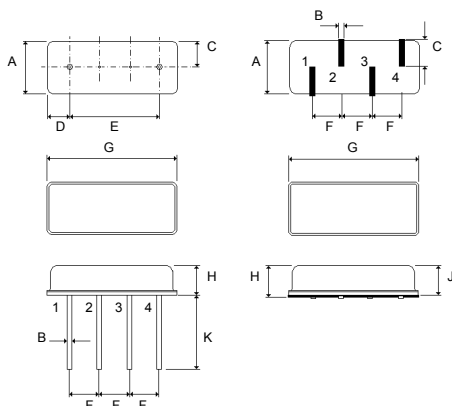
Pin No.	Function*
1	Input / output
2,3	Ground
4	Output / Input

\* Pin function may vary

Dimension	F-11 / F-11 SMD	
	F-11	F-11 SMD
A	4.5±0.5	4.5±0.5
B	0.45±0.2	0.6±0.05
C	2.25±0.2	2.45±0.2
D	1.7±0.2	-
E	7.6±0.2	-
F	2.54±0.2	2.54±0.2
G	11.0±0.5	11.0±0.5
H	3.2±0.3	4.1±0.3
J	-	3.4±0.3
K	6.3±0.5	-

Unit: mm

Tolerance: ±0.3mm



**F-11**

**F-11 SMD**



## TO-39-2 / TO-39-3 / TO-39 / TO-39-4

Pin No.	Function*
1	Input / output
2	Output / input
3	Ground

\* Pin function may vary

Dimension	
A	∅5.08
B	∅9.15
C	3.5 max.
D	2.0 min.
E	∅0.5 x 3

Unit: mm  
Tolerance: ±0.3mm

Pin No.	Function*
1	Input / output
2	Output2 / input2
3	Output1 / input1
4	Ground

\* Pin function may vary

Dimension	
A	∅5.08
B	∅9.15
C	3.5 max.
D	2.0 min.
E	∅0.5 x 3

Unit: mm  
Tolerance: ±0.3mm

Pin No.	Function*
1	Input
2	Output
3	Ground

\* Pin function may vary

Dimension	
A	∅5.08
B	∅9.15
C	3.5 max.
D	2.0 min.
E	∅0.5 x 3

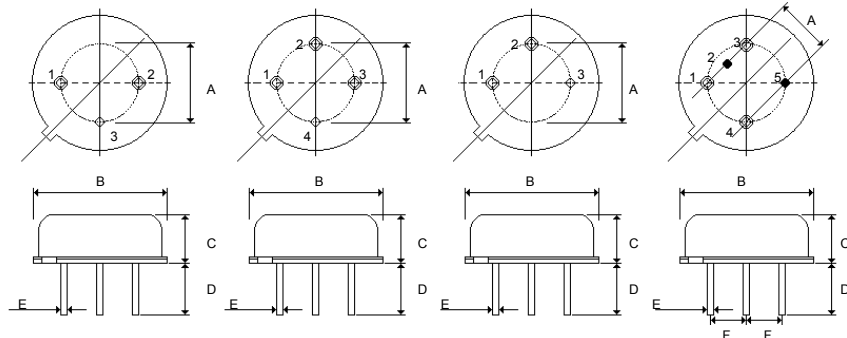
Unit: mm  
Tolerance: ±0.3mm

Pin No.	Function*
1	Ground
2	Ground
3	Input / output
4	Output / input
5	Ground

\* Pin function may vary

Dimension	
A	∅7.62
B	∅15.3
C	4.5 max.
D	3.5 min.
E	∅0.65 x 5
F	2.54

Unit: mm  
Tolerance: ±0.3mm



**TO-39-2**

**TO-39-3**

**TO-39**

**TO-39-4**



### • Front-End SAW Filters for Automotive Electronics & Remote Controls

Part Number	Center Frequency (MHz)	Insertion Loss (dB max.)	3dB Bandwidth (MHz)	Package
SF295M00A0000T9A1B0	295.0	3.0	0.6	TO-39
SF303M82A0000T9A1B0	303.825	3.0	0.6	TO-39
SF303M82A0000S5A1E0	303.825	3.0	0.6	5.0x5.0mm
SF303M87A0000T9A1B0	303.875	3.0	0.6	TO-39
SF303M87A0000S5A1E0	303.875	3.0	0.6	5.0x5.0mm
SF310M00A0000S5A1E0	310.0	3.0	0.8	5.0x5.0mm
SF315M00A0000T9A1B0	315.0	3.0	0.6	TO-39
SF315M00A0000T1A1B0	315.0	3.0	0.6	F-11
SF315M00A0000S5A1E0	315.0	3.0	0.6	5.0x5.0mm
SF315M50A0000T9A1B0	315.5	3.0	0.6	TO-39
SF318M00A0000T9A1B0	318.0	3.0	0.6	TO-39
SF319M50A0000T9A1B0	319.5	2.5	0.7	TO-39
SF345M00A0000S8A1B0	345.0	2.5	4.5	3.8x3.8mm (8)
SF345M00A0000S5A1E0	345.0	3.0	0.9	5.0x5.0mm
SF372M50A0000T9A1B0	372.5	3.0	0.6	TO-39
SF390M00A0000S5A1E0	390.0	3.0	1.0	5.0x5.0mm
SF395M00A0000S5A1E0	395.0	3.0	1.0	5.0x5.0mm
SF401M65A0000S5A1E0	401.65	3.0	0.6	5.0x5.0mm
SF401M90A0000T9A1B0	401.9	3.0	0.6	TO-39
SF418M00A0000T9A1B0	418.0	3.0	0.6	TO-39
SF418M00A0000S5A1E0	418.0	3.0	0.6	5.0x5.0mm
SF419M20A0000S5A1E0	419.2	3.0	1.2	5.0x5.0mm
SF430M50A0000T9A1B0	430.5	3.0	0.6	TO-39
SF430M50A0000T1A1B0	430.5	3.0	0.6	F-11
SF433M42A0000S5A1E0	433.42	3.5	0.6	5.0x5.0mm
SF433M42A0000S7A1B0	433.42	3.0	0.9	3.8x3.8mm (6)
SF433M92A0000T9A1B0	433.92	3.0	0.6	TO-39
SF433M92A0000T1A1B0	433.92	3.0	0.6	F-11
SF433M92A0000S5A1E0	433.92	3.0	0.6	5.0x5.0mm
SF433M92A0000T9A2B0	433.92	2.0	0.73	TO-39
SF433M92A0000S5A1E0	433.92	2.0	0.73	5.0x5.0mm
SF433M92A0000S5A2E0	433.92	2.5	0.6	5.0x5.0mm
SF433M92A0000S5A3E0	433.92	2.5	0.95	5.0x5.0mm
SF433M92A0000S5A4E0	433.92	2.2	0.7	5.0x5.0mm
SF433M92A0000S8A1B0	433.92	2.8	6.0	3.8x3.8mm (8)
SF433M92A0000S8A2B0	433.92	2.3	0.56	3.8x3.8mm (8)
SF434M42A0000S5A1E0	434.42	3.0	0.6	5.0x5.0mm
SF463M91A0000S5A1E0	463.912	2.5	1.2	5.0x5.0mm
SF499M25A0000T9A1B0	499.25	3.0	0.54	TO-39
SF859M15A0000T1A1B0	859.15	4.0	1.0	F-11
SF868M00A0000S5A1E0	868.0	3.5	1.2	5.0x5.0mm
SF868M30A0000S5A1E0	868.3	4.0	1.2	5.0x5.0mm
SF868M35A0000T1A1B0	868.35	4.0	1.2	F-11
SF868M35A0000S5A1E0	868.35	4.0	1.2	5.0x5.0mm
SF868M35A0000S8A1B0	868.35	3.5	1.8	3.8x3.8mm (8)
SF902M30A0000S5A1E0	902.3	3.5	1.2	5.0x5.0mm
SF914M50A0000T1A1B0	914.5	3.8	1.2	F-11
SF915M00A0000T9A1B0	915.0	3.5	1.2	TO-39
SF915M00A0000S5A1E0	915.0	4.0	1.2	5.0x5.0mm
SF916M50A0000T9A1B0	916.5	4.0	1.2	TO-39
SF916M50A0000T1A1B0	916.5	3.5	1.2	F-11
SF916M50A0000S5A1E0	916.5	4.0	1.2	5.0x5.0mm

- Other frequencies and specifications are also available upon request, please consult with our sales representatives.



### ● Bandpass Filters for Dual Conversion Turners

Part Number	Center Frequency (MHz)	Bandwidth (MHz)	Insertion Loss (dB max.)	Package
SF1090M00A0000S8A1E0	1090.0	12.0	4.0	3.8x3.8mm (8)
SF1120M00A0000S8A1E0	1120.0	32.0	3.5	3.8x3.8mm (8)
SF1120M00A0000S3A2E0	1120.0	32.0	3.5	3.0x3.0mm
SF1216M00A0000S3A1E0	1216.0	8.0	3.2	3.0x3.0mm
SF1220M00A0000S8A1E0	1220.0	8.0	4.7	3.8x3.8mm (8)

- Other frequencies and specifications are also available upon request, please consult with our sales representatives.

### ● IF Filters for Wireless LAN

Part Number	Center Frequency (MHz)	3dB Bandwidth (MHz)	Insertion Loss (dB max.)	Package
SF280M00A0000S5A1E0	280.0	20.0	11.0	5.0x5.0mm
SF374M00A0000T9A1B0	374.0	22.0	9.0	TO-39
SF374M00A0000T9A2B0	374.0	22.0	8.5	TO-39
SF374M00A0000S5A1E0	374.0	22.0	9.0	5.0x5.0mm
SF374M00A0000S5A2E0	374.0	22.0	8.5	5.0x5.0mm
SF374M00A0000S5A3E0	374.0	19.0	9.0	5.0x5.0mm
SF374M00A0000S5A4E0	374.0	20.5	9.0	5.0x5.0mm
SF374M00A0000S8A1E0	374.0	23.0	9.0	3.8x3.8mm (8)

- Other frequencies and specifications are also available upon request, please consult with our sales representatives.

### ● RF Filters for GPS

Part Number	Center Frequency (MHz)	Bandwidth (MHz)	Insertion Loss (dB max.)	Package
SF1542M50A0000S3A1E0	1542.50	34.0	3.3	3.0x3.0mm
SF1575M42A0000S3A1E0	1575.42	2.4	1.6	3.0x3.0mm

- Other frequencies and specifications are also available upon request, please consult with our sales representatives.

### ● RF Filters for Cellular Phone

Part Number	System		Center Frequency (MHz)	Bandwidth (MHz)	Insertion Loss (dB max.)	Package
SF836M50A0000S3A1E0	AMPS / CDMA	Tx	836.5	25.0	2.7	3.0x3.0mm
SF881M50A0000S3A1E0	AMPS / CDMA	Rx	881.5	25.0	2.7	3.0x3.0mm
SF902M50A0000S3A1E0	GSM	Tx	902.5	25.0	2.7	3.0x3.0mm
SF947M50A0000S3A1E0	GSM	Rx	947.5	25.0	2.7	3.0x3.0mm
SF947M50A0000S7A1E0	GSM	Rx	947.5	25.0	3.0	3.8x3.8mm (6)
SF897M50A0000S7A1E0	EGSM	Tx	897.5	26.0	3.0	3.8x3.8mm (6)
SF900M00A0000S7A1E0	EGSM	Tx	900.0	35.0	2.7	3.8x3.8mm (6)
SF945M00A0000S7A1E0	EGSM	Rx	945.0	35.0	2.7	3.8x3.8mm (6)
SF1842M50A0000S3A1E0	PCN / DCS	Rx	1842.5	75.0	3.5	3.0x3.0mm
SF1855M00A0000S3A1E0	K-PCS	Rx	1855.0	30.0	3.0	3.0x3.0mm

- Other frequencies and specifications are also available upon request, please consult with our sales representatives.

### ● IF Filters For Base Station

Part Number	System	Center Frequency (MHz)	3dB Bandwidth (MHz)	Insertion Loss (dB max.)	Package
SF70M00A0000D3A1B0	CDMA	70.0	6.0	21.8	D3 (DIP3512)*
SF70M00A0000D3A2B0	CDMA	70.0	19.2	34.3	D3 (DIP3512)*
SF233M15A0000F1A1B0	PHS	233.15	0.52	14.2	F1 (F-16)*

- Other frequencies and specifications are also available upon request, please consult with our sales representatives.

\* For package information, please contact our sales representative for more information

### ● IF Filters for Wireless Local Loop / Broadband Access

Part Number	System	Center Frequency (MHz)	3dB Bandwidth (MHz)	Insertion Loss (dB max.)	Package
SF110M59A0000R7A1B0	DECT	110.592	±0.576 min.	3.5	SR-75*
SF112M32A0000D1A1B0	DECT	112.32	1.05	13.5	DOC14C*
SF204M00A0000R7A1B0	SCDMA	204.0	1.15	9.0	SR-75*

- Other frequencies and specifications are also available upon request, please consult with our sales representatives.

\* For package information, please contact our sales representative for more information



### ● RF Filters for Pager Application

Part Number	Center Frequency (MHz)	3dB Bandwidth (MHz)	Insertion Loss (dB max.)	Package
SF139M00A0000T1A1B0	139.0	±4.0	6.5 max.	F-11
SF147M00A0000T1A1B0	147.0	±4.0	6.5 max.	F-11
SF147M00A0000S5A1E0	147.0	±4.0	6.5 max.	5.0x5.0mm
SF155M00A0000T1A1B0	155.0	±4.0	6.5 max.	F-11
SF155M00A0000S5A1E0	155.0	±4.0	6.5 max.	5.0x5.0mm
SF163M00A0000T1A1B0	163.0	±4.0	6.5 max.	F-11
SF163M00A0000S5A1E0	163.0	±4.0	6.5 max.	5.0x5.0mm
SF171M00A0000T1A1B0	171.0	±4.0	6.5 max.	F-11
SF281M00A0000T1A1B0	281.0	±3.0	4.5 max.	F-11
SF281M00A0000S5A1E0	281.0	±4.0	4.5 max.	5.0x5.0mm
SF930M50A0000T1A1B0	930.5	±2.0	4.5 max.	F-11

- Other frequencies and specifications are also available upon request, please consult with our sales representatives.

### ● SAW Filters for Satellite Receiver

Part Number	Center Frequency (MHz)	Insertion Loss (dB max.)	3dB Bandwidth (MHz)	Package	Application(s)
SF480M00A0000T8A1B0	480.0	21.0	18.0	TO-39-2	One-Channel Satellite Receivers
SF480M00A0000S5A1E0	480.0	21.0	18.0	5.0x5.0mm	
SF480M00A0000T8A2B0	480.0	22.5	27.0	TO-39-2	
SF480M00A0000S5A2E0	480.0	22.5	27.0	5.0x5.0mm	
SF480M00A0000T8A3B0	480.0	20.0	27.0	TO-39-2	
SF480M00A0000T8A4B0	480.0	21.0	36.0	TO-39-2	
SF480M00A0000T9A1B0	480.0	15.0	16.0	TO-39	
SF480M00A0000T8A5B0	480.0	4.0	22.0	TO-39-2	
SF480M00A0000T7A1B0	480.0	24.0	54.0	TO-39-3	
SF479M50A0000T8A1B0	479.5	21.5	8.0	TO-39-2	
SF479M50A0000S5A1E0	479.5	21.5	8.0	5.0x5.0mm	
SF479M50A0000T8A2B0	479.5	18.0	6.5	TO-39-2	
SF479M50A0000T7A1B0	479.5	22.0	16.0 (5.5dB)	TO-39-3	
SF479M50A0000T1A1B0	479.5	22.0	16.0 (5.5dB)	F-11	
SF479M50A0000S5A2E0	479.5	22.0	16.0 (5.5dB)	5.0x5.0mm	
SF479M50A0000T7A2B0	479.5	23.3	18 (5.5dB)	TO-39-3	
SF479M50A0000T7A3B0	479.5	21.0	27.0 / 18.0	TO-39-3	
SF479M50A0000T7A4B0	479.5	22.0	15.0 / 27.0	TO-39-3	
SF479M50A0000T7A5B0	479.5	25.0	27.0 / 36.0	TO-39-3	
SF480M00A0000T7A1B0	480.0	23.5	8.0 / 54.0	TO-39-3	
SF402M78A0000T7A1E0	402.78	20.5	15.5 / 28.0	TO-39-3	
SF402M78A0000S5A1E0	402.78	20.5	15.5 / 28.0	5.0x5.0mm	

- Other frequencies and specifications are also available upon request, please consult with our sales representatives.



### ● SAW Filters for CATV Channel (PAL Systems)

Part Number	Center Frequency (MHz)	Image Carrier Frequency (MHz)	-1 dB Bandwidth (MHz)	Insertion Loss (dB)	Ripple (dB)	Rejection (dB)	Package	Marking on Package
SF52M25C001T6000B0	52.25	49.75	6.75	23.5 (typical)	±0.6	42 min.	TO-39-4	1CH
SF60M50C002T6000B0	60.50	57.75		2CH				
SF68M50C003T6000B0	68.50	65.75		3CH				
SF80M00C004T6000B0	80.00	77.58		4CH				
SF88M00C005T6000B0	88.00	85.25		5CH				
SF171M00C006T6000B0	171.0	168.25	6.5	23.0 (typical)		38 min.		6CH
SF179M00C007T6000B0	179.0	176.25						7CH
SF187M00C008T6000B0	187.0	184.25						8CH
SF195M00C009T6000B0	195.0	192.25						9CH
SF203M00C010T6000B0	203.0	200.25						10CH
SF211M00C011T6000B0	211.0	208.25						11CH
SF219M00C012T6000B0	219.0	216.25			12CH			
SF115M00C01ZT6000B0	115.0	112.25	6.5	24.0 (typical)	±0.6	38 min.	CH1Z	
SF123M00C02ZT6000B0	123.0	120.25		23.5 (typical)			CH2Z	
SF131M00C03ZT6000B0	131.0	128.25		CH3Z				
SF139M00C04ZT6000B0	139.0	136.25		CH4Z				
SF147M00C05ZT6000B0	147.0	144.25		CH5Z				
SF155M00C06ZT6000B0	155.0	152.25		CH6Z				
SF163M00C07ZT6000B0	163.0	160.25		CH7Z				
SF227M00C08ZT6000B0	227.0	224.25		CH8Z				
SF610M00C25CT9000B0	610.0	607.15	6.5	6.5 (typical)	±1.0	35 min.	TO-39	CQF25C

- Other frequencies and specifications are also available upon request, please consult with our sales representatives.

### ● SAW Duplexers for Cordless Phone

Part Number	System	Lower Center Frequency (MHz)	Upper Center Frequency (MHz)	Insertion Loss (dB max.)	Package
SF26M40A0000W2D1B0	CT1	26.40	41.40	6.0 / 4.0	W2 *
SF45M24A0000W2D1B0	CT1	45.24	48.24	4.5 / 4.5	W2 *
SF46M79A0000W2D1B0	CT1	46.79	49.83	3.5 / 3.5	W2 *
SF903M00A0000S8D1E0	ISM Band	903.0	927.0	3.5 / 3.5	3.8x3.8mm (8)
SF903M45A0000S8D1E0	ISM Band	903.45	926.45	3.5 / 3.5	3.8x3.8mm (8)
SF903M75A0000T9D1B0	ISM Band	903.75	926.25	3.5 / 3.5	TO-39
SF903M75A0000S5D1E0	ISM Band	903.75	926.25	3.5 / 3.5	5.0x5.0mm
SF903M75A0000S8D1E0	ISM Band	903.75	926.25	3.5 / 3.5	3.8x3.8mm (8)
SF914M50A0000T9D1B0	ISM Band	914.5	959.5	3.5 / 3.5	TO-39
SF914M50A0000S5D1E0	ISM Band	914.5	959.5	3.5 / 3.5	5.0x5.0mm
SF914M50A0000S8D1E0	ISM Band	914.5	959.5	3.5 / 3.5	3.8x3.8mm (8)

- Other frequencies and specifications are also available upon request, please consult with our sales representatives.

\* For the package information of W2, please consults with our sales representatives



### ● SAW Filters for FRS & PMA

Part Number	Center Frequency (MHz)	I/O Impedance ( $\Omega$ )	Bandwidth (MHz)	Insertion Loss (dB max.)	Rejection (dB min.)	Package
SF295M00A0000T9A1B0	295.0	50.0	$\pm 2.0$ (Typical)	4.5	50.0	TO-39
SF311M00A0000T1A1B0	311.0	150.0	$\pm 2.0$ (Typical)	4.5	50.0	F-11
SF311M00A0000S5A1E0	311.0	150.0	$\pm 2.0$ (Typical)	4.5	50.0	5.0x5.0mm
SF315M00A0000S5A1E0	315.0	50.0	$\pm 2.0$ (Typical)	4.5	50.0	5.0x5.0mm
SF318M00A0000T9A1B0	318.0	50.0	$\pm 2.0$ (Typical)	4.5	50.0	TO-39
SF350M00A0000T1A1B0	350.0	50.0	$\pm 2.0$ (Typical)	4.5	50.0	F-11
SF350M00A0000S5A1E0	350.0	50.0	$\pm 2.0$ (Typical)	4.5	50.0	5.0x5.0mm
SF380M00A0000S5A1E0	380.0	50.0	$\pm 2.0$ (Typical)	4.5	50.0	5.0x5.0mm
SF395M00A0000S5A1E0	395.0	50.0	$\pm 2.0$ (Typical)	4.5	50.0	5.0x5.0mm
SF400M00A0000T1A1B0	400.0	50.0	$\pm 2.0$ (Typical)	4.5	50.0	F-11
SF403M00A0000T1A1B0	403.0	50.0	$\pm 2.0$ (Typical)	4.5	50.0	F-11
SF406M00A0000T1A1B0	406.0	50.0	$\pm 2.0$ (Typical)	4.5	50.0	F-11
SF410M00A0000T1A1B0	410.0	50.0	$\pm 2.0$ (Typical)	4.5	50.0	F-11
SF410M00A0000T1A2B0	410.0	150.0	$\pm 2.0$ (Typical)	4.5	50.0	F-11
SF410M00A0000T2A1B0	410.0	50.0	$\pm 2.0$ (Typical)	4.5	50.0	F-11 SMD
SF410M00A0000S5A1E0	410.0	50.0	$\pm 2.0$ (Typical)	4.5	50.0	5.0x5.0mm
SF410M00A0000S7A1E0	410.0	50.0	$\pm 2.0$ (Typical)	4.5	50.0	3.8x3.8mm (6)
SF418M00A0000T1A1B0	418.0	150.0	$\pm 2.0$ (Typical)	4.5	50.0	F-11
SF425M00A0000S7A1E0	425.0	50.0	$\pm 2.0$ (Typical)	4.5	50.0	3.8x3.8mm (6)
SF426M00A0000T1A1B0	426.0	50.0	$\pm 2.0$ (Typical)	4.5	50.0	F-11
SF426M00A0000S5A1E0	426.0	50.0	$\pm 2.0$ (Typical)	4.5	50.0	5.0x5.0mm
SF426M00A0000S7A1E0	426.0	50.0	$\pm 2.0$ (Typical)	4.5	50.0	3.8x3.8mm (6)
SF429M00A0000S7A1E0	429.0	50.0	$\pm 2.0$ (Typical)	4.5	50.0	3.8x3.8mm (6)
SF430M00A0000T1A1B0	430.0	50.0	$\pm 2.0$ (Typical)	4.5	50.0	F-11
SF430M00A0000S7A1E0	430.0	50.0	$\pm 2.0$ (Typical)	4.5	50.0	3.8x3.8mm (6)
SF434M00A0000S7A1E0	434.0	50.0	$\pm 2.0$ (Typical)	4.5	50.0	3.8x3.8mm (6)
SF446M00A0000T1A1B0	446.0	50.0	$\pm 2.0$ (Typical)	4.5	50.0	F-11
SF446M00A0000T1A2B0	446.0	150.0	$\pm 2.0$ (Typical)	4.5	50.0	F-11
SF446M00A0000S5A1E0	446.0	50.0	$\pm 2.0$ (Typical)	4.5	50.0	5.0x5.0mm
SF311M00A0000S5A2E0	446.0	150.0	$\pm 2.0$ (Typical)	4.5	50.0	5.0x5.0mm
SF448M00A0000S7A1E0	448.0	50.0	$\pm 2.0$ (Typical)	4.5	50.0	3.8x3.8mm (6)
SF450M00A0000T1A1B0	450.0	50.0	$\pm 2.0$ (Typical)	4.5	50.0	F-11
SF450M00A0000S7A1E0	450.0	50.0	$\pm 2.0$ (Typical)	4.5	50.0	3.8x3.8mm (6)
SF455M00A0000S7A1E0	455.0	50.0	$\pm 2.0$ (Typical)	4.5	50.0	3.8x3.8mm (6)
SF458M00A0000T1A1B0	458.0	50.0	$\pm 2.0$ (Typical)	4.5	50.0	F-11
SF460M00A0000S5A1E0	460.0	50.0 // 10nH	$\pm 2.0$ (Typical)	4.5	50.0	5.0x5.0mm
SF465M00A0000T1A1B0	465.0	50.0	$\pm 2.0$ (Typical)	4.5	50.0	F-11
SF465M00A0000T1A2B0	465.0	150.0	$\pm 2.0$ (Typical)	4.5	50.0	F-11
SF465M00A0000T2A1B0	465.0	50.0	$\pm 2.0$ (Typical)	4.5	50.0	F-11 SMD
SF465M00A0000T2A2B0	465.0	150.0	$\pm 2.0$ (Typical)	4.5	50.0	F-11 SMD
SF465M00A0000S5A1B0	465.0	50.0	$\pm 2.0$ (Typical)	4.5	50.0	5.0x5.0mm
SF465M00A0000S7A1E0	465.0	50.0	$\pm 2.0$ (Typical)	4.5	50.0	3.8x3.8mm (6)
SF470M00A0000T1A1B0	470.0	50.0	$\pm 2.0$ (Typical)	4.5	50.0	F-11
SF475M00A0000T1A1B0	475.0	50.0	$\pm 2.0$ (Typical)	4.5	50.0	F-11

- Other frequencies and specifications are also available upon request, please consult with our sales representatives.