



Dielectric Resonator (Coaxial Type)

● Dimension

Size Dimension	S03	S04	S05	S06	S10
A	3.0	4.0	5.0	6.0	10.0
T	0.5	0.5	0.7	1.0	1.0
B	1.0	1.0	1.5	2.0	2.0
C	0.8	0.8	1.0	1.2	1.5
D	1.00	1.35	1.57	2.45	3.05
L	Varies with frequency				

Tolerance: $\pm 0.2\text{mm}$
Unit: mm

● Electrical Characteristics

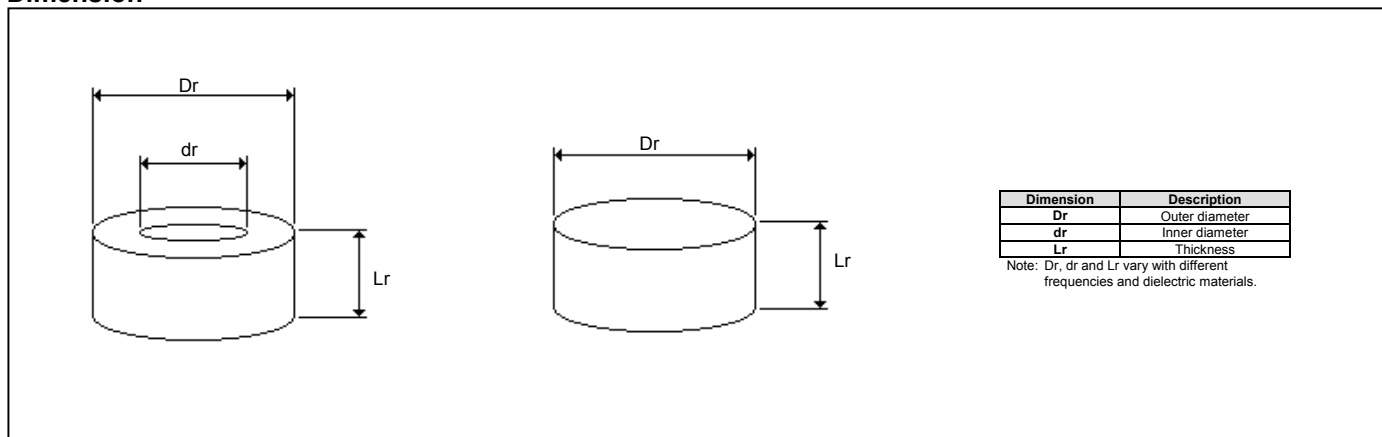
Model	Frequency Range (MHz)	Qu (Min.)	Frequency Stability (ppm)	Wave Length	Frequency Tolerance
S03	900 ~ 1490	230	0 \pm 10	$\lambda / 2$ or $\lambda / 4$	$\pm 0.5\%$ or $\pm 1.0\%$
	1500 ~ 1690	250			
	1700 ~ 1990	270			
	2000 ~ 3000	290			
S04	500 ~ 540	200			
	550 ~ 640	220			
	650 ~ 790	240			
	800 ~ 890	260			
	900 ~ 1490	270			
	1500 ~ 1790	290			
	1800 ~ 1890	340			
1900 ~ 3000	370				
S05	500 ~ 590	270			
	600 ~ 1490	350			
	1500 ~ 2500	400			
S06	400 ~ 490	330			
	500 ~ 790	350			
	800 ~ 1290	400			
	1300 ~ 1690	470			
S10	300 ~ 700	600			
	700 ~ 1540	450			
S06	1550 ~ 1800	550	0 \pm 10	$\lambda / 2$ or $\lambda / 4$	$\pm 0.5\%$ or $\pm 1.0\%$
S10	400 ~ 1200	650			
S03	1900 ~ 2490	380	0 \pm 10	$\lambda / 2$ or $\lambda / 4$	$\pm 0.5\%$ or $\pm 1.0\%$
	2500 ~ 3000	400			
S04	1300 ~ 1490	350			
	1500 ~ 1990	400			
	2000 ~ 3000	450			
S06	1000 ~ 1190	500			
	1200 ~ 1790	600			
	1800 ~ 2490	650			
	2500 ~ 3000	850			

- For other frequencies or specifications, please consult with our sales representatives for details.



Dielectric Resonator (TE_{01δ})

● Dimension



● Electrical Characteristics

Item	Symbol	Unit	Dielectric Material					
			D20	D30	D37	D45	D80	D90
Frequency Range	F	GHz	4.5 ~ 30.0	4.5 ~ 25.0	0.5 ~ 20.0	0.5 ~ 20.0	0.5 ~ 6.0	0.5 ~ 6.0
Dielectric Constant	ϵ_r	-	20	30	37	45	80	90
Temperature Coefficient of Frequency	τ_f	ppm/°C	-3 ~ +3	-3 ~ +3	-10 ~ +10	-3 ~ +3	-3 ~ +3	-3 ~ +3
Q Value	Q	-	10000 (6GHz)	10000 (10GHz)	10000 (4GHz)	10000 (4GHz)	3000 (3GHz)	2000 (3GHz)
Density	ρ	g/cm ³	6.9	7.7	5.1	4.7	5.6	5.8
Water Absorption	A	%	< 0.01	< 0.01	< 0.01	< 0.01	< 0.01	< 0.01

- The above frequencies are mathematically calculated values and, therefore, actual values may be different.
- For other frequencies or specifications, please consult with our sales representatives for details.



Chequers Electronic (China) Limited

捷嘉電子(中國)有限公司

This page is
intentionally blanked