

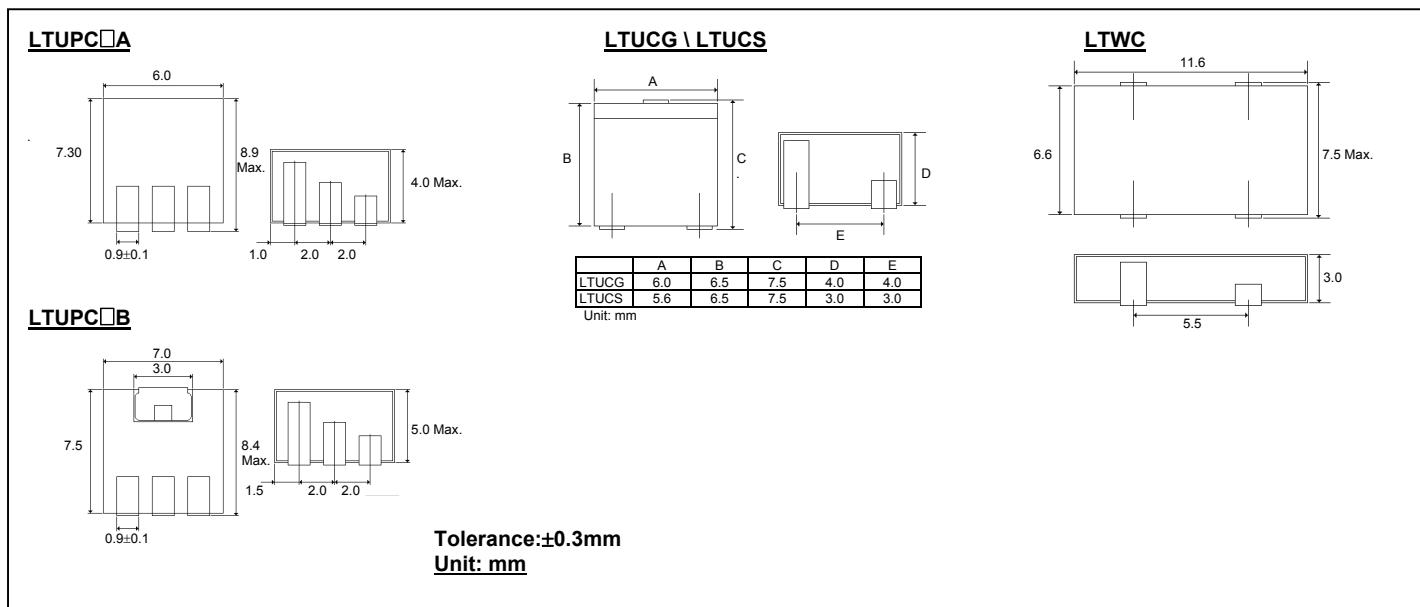


Ceramic Filter (450/455KHz, SMD Type)

RoHS Compliant
Directive 2002/95/EC

REACH Compliant
(15 SVHCs)
Regulation (EC)
No. 1907/2006

• Dimension



• Electrical Specifications of LTUCG and LTUCS

Part Number	Center Frequency (Center of 6dB Bandwidth) KHz	Bandwidth		Stop Band Att. ±100KHz dB Max.	Insertion Loss at Min. Loss Point dB Max.	Ripple dB Max.	Input/output Impedance Ω
		6dB KHz Min.	40dB KHz Max.				
LTUCG455B LTUCS455B	$f_0 \pm 1.5$	±15.0	±35.0	25.0	4.0	2.0 (±9KHz)	1000
LTUCG455C LTUCS455C	$f_0 \pm 1.5$	±12.5	±28.0	25.0	4.0	2.0 (±8KHz)	1000
LTUCG455D LTUCS455D	$f_0 \pm 1.5$	±10.0	±20.0	27.0 (LTUCG) 25.0 (LTUCS)	4.0 (LTUCG) 6.0 (LTUCS)	2.0 (±7KHz)	1500 (LTUCG) 1000 (LTUCS)
LTUCG455E LTUCS455E	$f_0 \pm 1.5$	±7.5	±15.0	27.0	6.0	2.0 (±5KHz)	1500
LTUCG455F LTUCS455F	$f_0 \pm 1.5$	±6.0	±12.5	27.0	6.0	2.0 (±4KHz)	1500
LTUCG455G LTUCS455G	$f_0 \pm 1.5$	±4.5	±10.0	25.0	6.0	2.0 (±3KHz)	1500
LTUCG455H LTUCS455H	$f_0 \pm 1.5$	±3.0	±9.0	25.0	6.0	2.0 (±2KHz)	1500

- For other frequencies or specifications, please consult with our sales representatives for details.
- Center frequency of 450KHz is also available.

• Electrical Specifications of LTUPC□A and LTUPC□B

Part Number	Center Frequency (Center of 6dB Bandwidth) KHz	Bandwidth		Stop Band Att. ±100KHz dB Max.	Insertion Loss at Min. Loss Point dB Max.	Ripple dB Max.	Input/output Impedance Ω
		6dB KHz Min.	40dB KHz Max.				
LTUPC455BA LTUPC455BB	$f_0 \pm 1.5$	±15.0	±35.0	25.0	4.0	2.0 (±9KHz)	1000 (LTUPC□A) 1500 (LTUPC□B)
LTUPC455CA LTUPC455CB	$f_0 \pm 1.5$	±12.5	±28.0	25.0	4.0	2.0 (±8KHz)	1000 (LTUPC□A) 1500 (LTUPC□B)
LTUPC455DA LTUPC455DB	$f_0 \pm 1.5$	±10.0	±20.0	27.0	4.0	2.0 (±7KHz)	1500
LTUPC455EA LTUPC455EB	$f_0 \pm 1.5$	±7.5	±15.0	27.0	6.0	2.0 (±5KHz)	1500
LTUPC455FA LTUPC455FB	$f_0 \pm 1.5$	±6.0	±12.5	27.0	6.0	2.0 (±4KHz)	1500
LTUPC455GA LTUPC455GB	$f_0 \pm 1.5$	±4.5	±10.0	25.0	6.0	2.0 (±3KHz)	1500
LTUPC455HA LTUPC455HB	$f_0 \pm 1.5$	±3.0	±9.0	25.0	6.0	2.0 (±2KHz)	1500

- For other frequencies or specifications, please consult with our sales representatives for details.
- Center frequency of 450KHz is also available.



● Electrical Specifications of LTWC

Part Number	Center Frequency (Center of 6dB Bandwidth) KHz	Bandwidth			Stop Band Att. $\pm 100\text{KHz}$ dB Max.	Insertion Loss at Min. Loss Point dB Max.	Ripple dB Max.	Spurious Response (0.1~1.0MHz) dB Max.	GDT Ripple Deviation μSec Max.	Input/output Impedance Ω
		3dB KHz Min.	6dB KHz Min.	50dB KHz Max.						
LTWC455B	$f_0 \pm 1.5$	± 10.0	± 15.0	± 35.0	45.0	6.0	3.0 ($\pm 10\text{KHz}$)	15.0	50 ($\pm 10\text{KHz}$)	1000
LTWC455C	$f_0 \pm 1.5$	± 8.0	± 12.5	± 28.0	45.0	6.0	3.0 ($\pm 8\text{KHz}$)	15.0	50 ($\pm 8\text{KHz}$)	1000
LTWC455D	$f_0 \pm 1.5$	± 7.0	± 10.0	± 20.0	50.0	4.0	3.0 ($\pm 7\text{KHz}$)	20.0	50 ($\pm 7\text{KHz}$)	1500
LTWC455E	$f_0 \pm 1.5$	± 5.5	± 7.5	± 15.0	50.0	4.0	3.0 ($\pm 5\text{KHz}$)	20.0	50 ($\pm 5\text{KHz}$)	1500
LTWC455F	$f_0 \pm 1.5$	± 4.0	± 6.0	± 12.0	47.0	6.0	3.0 ($\pm 4\text{KHz}$)	20.0	50 ($\pm 4\text{KHz}$)	1500
LTWC455G	$f_0 \pm 1.5$	± 3.0	± 4.5	± 10.0	47.0	6.0	2.0 ($\pm 3\text{KHz}$)	20.0	50 ($\pm 3\text{KHz}$)	1500
LTWC455H	$f_0 \pm 1.5$	± 2.0	± 3.0	± 9.5	47.0	6.0	2.0 ($\pm 2\text{KHz}$)	20.0	50 ($\pm 2\text{KHz}$)	1500

- For other frequencies or specifications, please consult with our sales representatives for details.
 - Center frequency of 450KHz is also available.