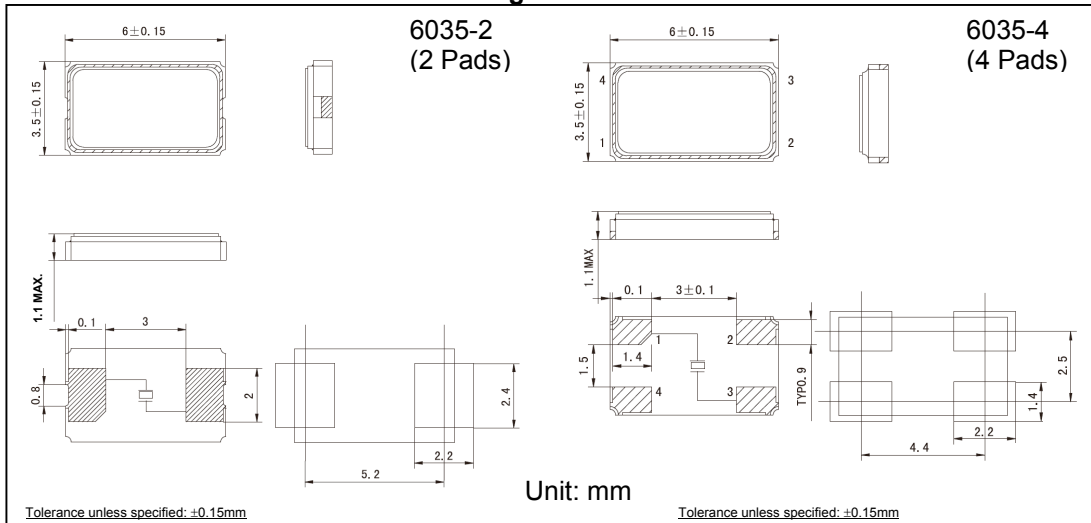




## Quartz Crystal Unit (6.0 x 3.5 x 1.1mm)

### ● Dimension and Recommended Soldering Pattern



**RoHS Compliant**  
Directive 2002/95/EC

**REACH Compliant**  
(15 SVHCs)  
Regulation (EC) No.  
1907/2006

**TS16949:2002**  
Certified

### ● Electrical Specifications

Holder type		6035-2 (6.0 x 3.5 x 1.1mm, surface-mounted, two pads) 6035-4 (6.0 x 3.5 x 1.1mm, surface-mounted, four pads)
Frequency range	Fo	8.000MHz to 150.000MHz
Frequency tolerance (at 25°C)	ΔF	±10ppm to ±100ppm
Frequency drift	Tc	±10ppm to ±100ppm
Operating temperature range	T0	-10°C ~ +60°C to -40°C ~ +85°C
Storage temperature range	TS	-40°C ~ +85°C to -55°C ~ +125°C
Aging (at 25°C)		±5ppm / year max.
Shunt capacitance	C0	7pF max.
Drive level	DL	100μW (typical)
Insulation resistance	Ri	500MΩ min. at DC100V
Load capacitance	CL	Suggested by customer

- The above information is for reference only. For other frequencies or specifications, please consult with our sales representatives for details.

### ● Equivalent Series Resistance and Mode of Operation

Frequency range	Equivalent series resistance	Mode of operation
8.000MHz to 9.999MHz	60Ω max.	Fundamental
10.000MHz to 13.999MHz	50Ω max.	Fundamental
14.000MHz to 19.999MHz	40Ω max.	Fundamental
≥ 20.000MHz	30Ω max.	Fundamental
40.000MHz to 150.000MHz	80Ω max.	3 <sup>rd</sup> Overtone

- The above information is for reference only. For other frequencies or specifications, please consult with our sales representatives for details.