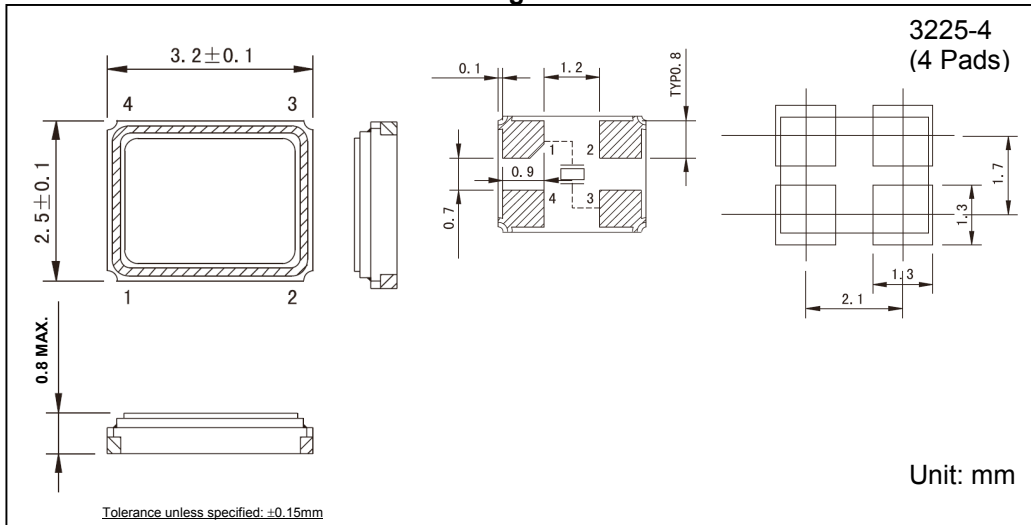




Quartz Crystal Unit (3.2 x 2.5 x 0.8mm)

● Dimension and Recommended Soldering Pattern



RoHS Compliant
Directive 2002/95/EC

REACH Compliant
(15 SVHCs)
Regulation (EC) No.
1907/2006

TS16949:2002
Certified

● Electrical Specifications

Holder type		3225-4 (3.2 x 2.5 x 0.8mm, surface-mounted, four pads)
Frequency range	Fo	12MHz to 50MHz
Frequency tolerance (at 25°C)	ΔF	$\pm 10\text{ppm}$ to $\pm 100\text{ppm}$
Frequency drift	Tc	$\pm 10\text{ppm}$ to $\pm 100\text{ppm}$
Operating temperature range	T0	-10°C ~ +60°C to -40°C ~ +85°C
Storage temperature range	TS	-40°C ~ +85°C to -55°C ~ +125°C
Aging (at 25°C)		$\pm 5\text{ppm}$ / year max.
Shunt capacitance	C0	7pF max.
Drive level	DL	10 μW (typical)
Insulation resistance	Ri	500M Ω min. at DC100V
Load capacitance	CL	Suggested by customer

- The above information is for reference only. For other frequencies or specifications, please consult with our sales representatives for details.

● Equivalent Series Resistance and Mode of Operation

Frequency range	Equivalent series resistance	Mode of operation
12.000MHz to 15.999MHz	100 Ω max.	Fundamental
16.000MHz to 19.999MHz	80 Ω max.	Fundamental
20.000MHz to 23.999MHz	60 Ω max.	Fundamental
24.000MHz to 50.000MHz	40 Ω max.	Fundamental

- The above information is for reference only. For other frequencies or specifications, please consult with our sales representatives for details.