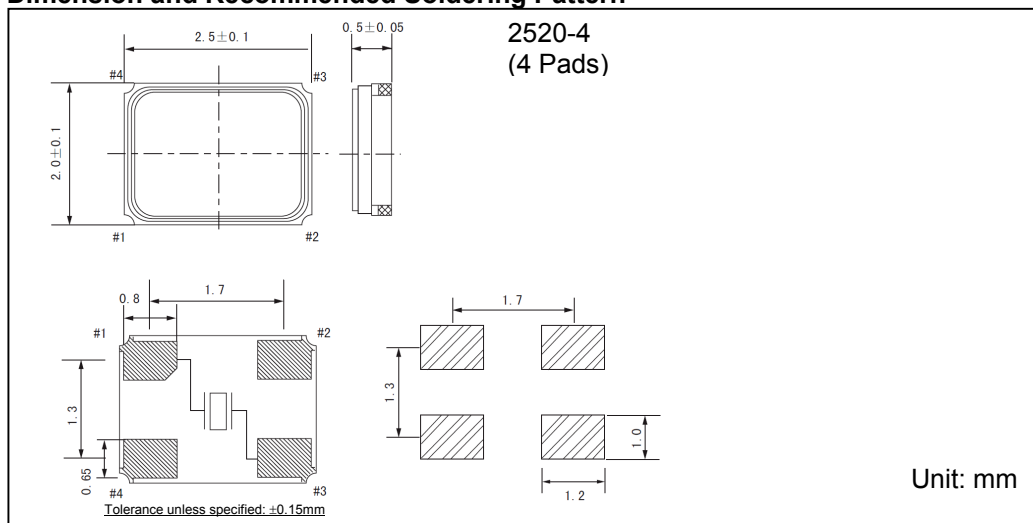




Quartz Crystal Unit (2.5 x 2.0 x 0.5mm)

● Dimension and Recommended Soldering Pattern



RoHS Compliant
Directive 2002/95/EC

REACH Compliant
(15 SVHCs)
Regulation (EC) No.
1907/2006

TS16949:2002
Certified

● Electrical Specifications

| | | |
|-------------------------------|----|--|
| Holder type | | 2520-4 (2.5 x 2.0 x 0.5mm, surface-mounted, four pads) |
| Frequency range | Fo | 20.000MHz to 50.000MHz |
| Frequency tolerance (at 25°C) | ΔF | ±10ppm to ±100ppm |
| Frequency drift | Tc | ±10ppm to ±100ppm |
| Operating temperature range | T0 | -10°C ~ +60°C to -40°C ~ +85°C |
| Storage temperature range | TS | -40°C ~ +85°C to -55°C ~ +125°C |
| Aging (at 25°C) | | ±5ppm / year max. |
| Shunt capacitance | C0 | 7pF max. |
| Drive level | DL | 100μW (typical) |
| Insulation resistance | Ri | 500MΩ min. at DC100V |
| Load capacitance | CL | Suggested by customer |

- The above information is for reference only. For other frequencies or specifications, please consult with our sales representatives for details.

● Equivalent Series Resistance and Mode of Operation

| Frequency range | Equivalent series resistance | Mode of operation |
|------------------------|------------------------------|-------------------|
| 20.000MHz to 29.999MHz | 80Ω max. | Fundamental |
| 30.000MHz to 39.999MHz | 60Ω max. | Fundamental |
| 40.000MHz to 50.000MHz | 40Ω max. | Fundamental |

- The above information is for reference only. For other frequencies or specifications, please