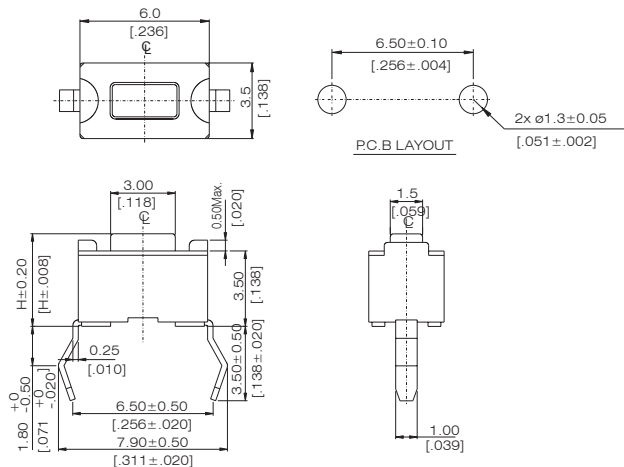
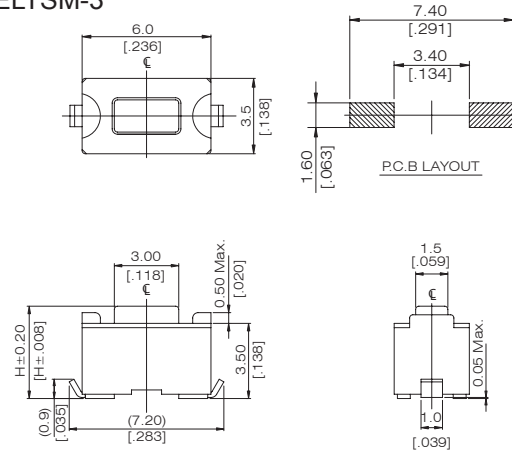
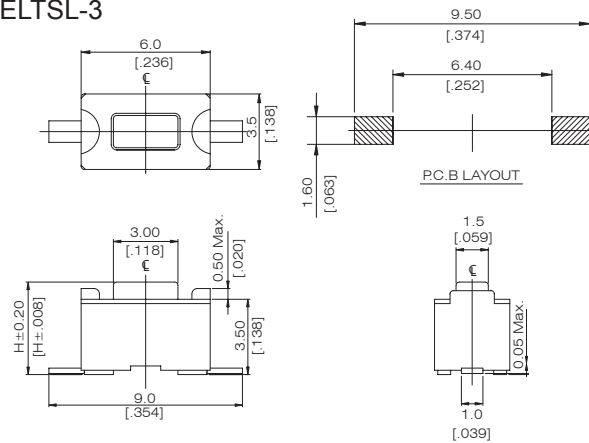
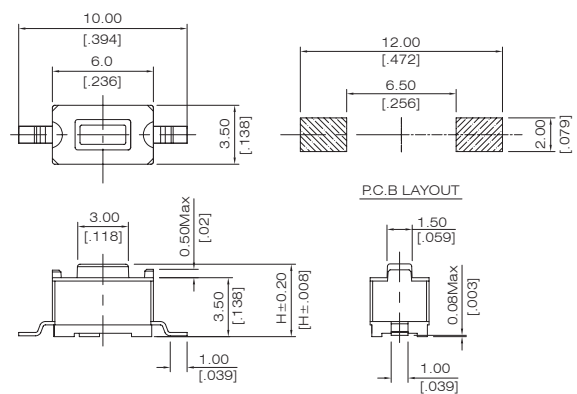

SPECIFICATIONS

RATING: 50mA, 12VDC
ELECTRICAL LIFE: 50,000 cycles for 160gf, 320gf,
 30,000 cycles for 260gf, 520gf
CONTACT RESISTANCE: 100mΩ max
INSULATION RESISTANCE: 100MΩ min. 500VDC
DIELECTRIC STRENGTH: 250VAC/1 min
OPERATION FORCE : 160gf, 260gf, 320gf, 520gf
STORAGE TEMPERATURE: -30°C to +80°C

DIMENSIONS
ELTS-3

ELTSM-3

ELTSL-3

ELTSF-3

CIRCUIT

HOW TO ORDER
ELTS □ - □ □ □ - □ □

□ : Through Hole ——— RoHS code
 M : S.M.T/J-bend outward ——— H= RoHS Compliant
 L : S.M.T/Flat
 F : S.M.T/Gull-wing

Prod. SIZE: 3= 3.5 X 6

Dimension H:
 1= 4.3mm
 2= 5.0mm

Package:
 □ : Bag (THT Only)
 B : Tube Package
 T/R: Tape & Reel

Operating Force:
 N= 160gf
 R= 260gf
 S= 320gf
 Y= 520gf